

# Insulated Conductor Rail

## SinglePowerLine Program 0813



**CONDUCTIX**  
wampfler

Ⓞ DELACHAUX GROUP



# Table of Contents

<b>System Description</b>	5
<b>Technical Data</b>	6
<b>General Instructions</b>	7
<b>System Structure</b>	8
Components and their use . . . . .	8
Insulated Conductor Rails . . . . .	9
<b>Clamps and Connectors</b>	10
Hanger Clamps . . . . .	10
Rail Connectors . . . . .	11
Power Feed Connectors . . . . .	11
Anchor Clamps . . . . .	12
End Caps . . . . .	12
Notch-type Cable Lugs for Power Feed Line . . . . .	12
Air Gaps . . . . .	13
<b>Expansion Units</b>	14
<b>Pickup Guides for Intersections</b>	16
<b>Current Collectors</b>	17
Parallel Arm Type Current Collectors . . . . .	18
Parallel Arm Type Double Current Collectors . . . . .	19
Installation spacing for Current Collectors . . . . .	18
Installation Instructions and Assembly Help for Current Collectors . . . . .	20
<b>Dimensioning and Layout of Conductor Rail Systems</b>	22
<b>System Layout</b>	25
<b>Layout Examples</b>	27
<b>Mounting Accessories</b>	28
Support Arms 40 × 40 × 2.5 - perforated . . . . .	28
Permissible Load for Support Arms . . . . .	28
Holders for Support Arm 40 × 40 × 2.5 for Screw Mounting with 2-holed Connector Plate . . . . .	29
Holders for Support Arm 40 × 40 × 2.5 . . . . .	29
Girder Clips, Clamping Thickness 4 - 20 mm . . . . .	30
Girder Clips, Clamping Thickness 18 - 36 mm . . . . .	30
Girder Clips, non-twistable, Clamping Thickness 6 - 25 mm . . . . .	30
Towing Arms . . . . .	31
End Caps . . . . .	31
Insulators . . . . .	31
Terminal Boxes for Power Feed with Fittings, Glands and Accessories . . . . .	32
Terminal Boxes for Joints with Fittings, Glands and Accessories . . . . .	32
<b>Tools and Accessories</b>	32
Mounting Comb 081046 . . . . .	32
Grounding and Short-Circuiting Device . . . . .	33
Contact Grease for Connection Points . . . . .	33
<b>Replacement Parts</b>	34
Replacement Carbon Brushes for Current Collector Heads . . . . .	34
Replacement Parts for Current Collectors . . . . .	34



# System Description

The SinglePowerLine 0813 conductor rail system is used as a standard product in the area of bridge, portal and process cranes, but also in a wide variety of other applications such as amusement rides and people movers. For over 35 years, it is a specified, reliable and approved product in these applications.

As an insulated single-pole safety conductor rail, the contact-protected system meets requirements for conductor rails according to European (CE) and current international standards and is listed and approved for use in the United States and Canada by Underwriter Laboratories UL, CSA as well as GOST-R.

With different insulation materials, applications can be covered with conductor temperatures of up to 115°C. This corresponds to a permanent ambient temperature of 85°C at 100% duty cycle under continuous load. The conductor rail can temporarily withstand up to 125°C.

## System advantages:

- available in different conductor materials
- finger-safe design
- used around the world
- modular, expandable system
- self-extinguishing insulation compliant with UL-94 standard
- Yellow safety-color
- Designed for 100% duty cycle according to European standards
- Self-aligning hanger clamps
- Seawater-resistant
- Special seamless and corrosion-resistant process for connection of aluminum rails and stainless steel contact surfaces

For conductor materials, copper and aluminum in seawater-resistant alloys with stainless steel contact surfaces are available.

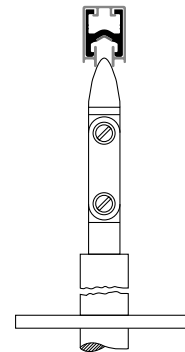
With the partial expansion compensation system (compensation for thermal expansion in every rail part), systems up to 200 m in length can be implemented without the use of additional expansion elements.<sup>1)</sup>

The safe, refined connector system and clip-on rail holders, in combination with optional mounting brackets, permit fast, economical assembly.

With the SinglePowerLine 0813 system and the 0813 product line extension for higher power ranges, Conductix-Wampfler offers a reliable, proven and robust solution for your application. Present around the world, our representatives and sales partners are glad to be at your side from planning to implementation and service.







The plastic insulation of the conductor rails is colored warning yellow in accordance with general marking regulations, and the PE conductor rail components are green and yellow (continuous green colour strips). Other colours are available upon request (note minimum order quantities).

**Safety conductor rail with a finger-safe design. Testing of contact protection with IEC / UL / NEMA jointed test fingers (12 mm foreign bodies).**



<sup>1)</sup> Take arrangement and ambient temperature into consideration.

# Technical Data

Conductor Rails	Aluminum with Stainless Steel Contact Insert			Copper		
Type	081313	081314	081319	081315	081316	081317
Current Load [A] At 100% duty cycle and 35 °C (rated value) At 60% duty cycle and 20 °C	500 510 	800 810 	1000 1050 	500 520 	800 880 	1250 1400 
Rated voltage	[V]	690 (UL 660 V) – min. 24 V / 1A (minimum load)				
Protection type	Vertical insertion of current collector: IP23 (DIN EN 60529, VDE 0470-1); horizontal insertion of current collector: IP21					
Safety level	Finger-safe design (collector: finger-safe entry only)					
Installation orientation	Horizontal with collector entry on bottom side; collector entry sideways optional, for indoor use only					
Application area	Crane construction, container-stacking cranes, steel mill cranes, process cranes and similar applications					
Environment	Indoors and outdoors (see protection class)					
Rated suspension spacing	[m]	2.5 (98 Inches) typically 2.4 bis 2.5				
Rail length	[mm]	5000 (196.9 Inches) (rated dimensions at 20 °C / tolerance ± 3 mm)				
System length	[m]	unlimited				
Exterior dimensions	[mm]	32 x 42 (rail cross section)				
Rated rail spacing	[mm]	80 (3.15 Inches) (minimum spacing can be extended as needed)				
Travel speed	[m/min]	600 m/min (straight segments without interruptions, such as Pickup Guides, Air Gaps, etc.)				
Expansion / expansion connectors	Compensation up to 200 m (565 feet) in system length, above 200 m the use of expansion elements is necessary					
Permitted ambient temperature	-30 °C to 55 °C (85 °C in heat-resistant design / PPE + SB)					
Maximum conductor temperature	+85 °C (115 °C in heat-resistant design / PPE + SB, temporarily 125 °C)					
Storage temperature	-30 °C to +40 °C (dry storage; avoid condensation)					
Conductor materials	Depending on type: electrolytic copper, or seawater-resistant aluminum with stainless steel contact surfaces					
Rail insulation	Stabilized hard PVC (standard material) and PPE + SB (heat-resistant design for interior use)					
Dielectric strength	22.4 kV/mm as defined by DIN 53481					
Leakage current resistance	400 < CTI as defined by IEC 112 / VDE 0303					
Flammability / fire safety	Meets requirements for insulating materials in UL 94 V-0; flame-retardant and self-extinguishing (IEC DIN EN 60895-11-10B), halogen-free PPE-SB					
Local approvals	UL / CSA / GOST-R					
Coloration	Rail insulation in safety warning colour RAL 1018 Zinc yellow or RAL 1021 Rape yellow in heat-resistant design					
Relevant standards						
DIN EN 60664-1, VDE 0110-1:2008-1	Insulation coordination for electrical equipment in low-voltage installations - Part 1: Principles, requirements and testing (IEC 60664-1:2007); German edition EN 60664-1:2007					
DIN EN 60204-1, VDE 0113-1:2007-06	Safety of machines - electrical equipment of machines - Part 1: General requirements (IEC 60204 - 1:2005, modified); German edition EN 60204-1:2006					
DIN EN 60529, VDE 0470-1:2000-09	Protection classes using housings (IP code) (IEC 60529:1989 + A1:1999); German edition EN 60529:1991 A1:2000					
DIN EN 60243-2, VDE 0303-22:2001-10	Electrical dielectric strength of insulating materials - testing procedures - part 2: Additional requirements for testing with direct current (IEC 60243-2:2001); German edition EN 60243-2:2001					
DIN EN 60093, VDE 0303-30:1993-12	Testing procedures for electrical insulation: Specific dielectric strength and specific surface resistance of solid, electrically insulating materials (IEC 60093:1980); German edition HD 429 S1:1983					
DIN EN 60167, VDE 0303-31:1993-12	Testing procedures for electrical insulation: Insulation resistance of solid, insulating materials (IEC 60167:1964); German edition HD 568 S1:1990					
DIN EN 60112, VDE 0303-11:2003-11	Process for determining the test figures and comparison figures for creepage path formation in solid, insulating materials (IEC 60112:2003); German edition EN 60112:2003					

Subject to technical modifications

# General Instructions

## Application Area

This product is intended for the supply of mobile consumers in the rated current range up to 1250 A and voltages up to 690 V / 1000 V. Target applications are hoist/ crane systems, container stacking cranes, steel mill- or STS-cranes and similar applications with one or more mobile units.

The insulation materials are resistant to many ingredients used in the industrial environment, depending on concentration and exposure time. All metal parts are available in copper or seawater-resistant aluminum depending on construction type, and should be evaluated in accordance with the general suitability of these basic materials.

Before using in critical environmental conditions such as galvanizing plants, pickling plants, compost works and locations with high concentrations of chemicals (e.g. solvents, aromatics, benzols, etc.), please contact us.

## Layout

There are several decisive factors in the selection and layout of conductor rails. One main characteristic is the current load that actually occurs (total current to be expected during operation – not to be confused with the installed power or the resulting maximum current) and the resistance values of the system. Here we look at the longest segment between the power feed and the position of the consumer during start-up. The criterion in question is the resulting voltage drop. Depending on the conductor material and cross section, different losses can result for the same length and current. A conductor rail is properly dimensioned from the point of view of voltage drop when the drop lies within the permitted tolerance range, generally 2-5% and at most 10% including the connection feed cable.

Conductor rails are classified by their rated current. This corresponds to the maximum continuous current for the conductor rail and is based on the standard parameters of 35 °C ambient temperature and 100% duty cycle (according to IEC  $\geq$  10 min ON). If the duty cycle or ambient temperature is lower, higher currents can be transmitted. Further information about the layout

of conductor rails and corrections to rated current specifications is listed starting on page 22.

## Electrical Safety

Insulated SinglePowerLine 0813 conductor rails are designed according to applicable international standards and guidelines, meet today's requirements for the safety of a conductor rail and have contact protection compliant with DIN EN 60529 (protection class IP 23). They meet the general requirements for classification and evaluation defined in DIN EN 60204 part 32 - Electrical requirements for hoisting machines.

Conductor rails and rail components have a high level of safety. With contact protection, direct contact between body parts and electrically conducting parts is prevented (finger protection with DIN VDE and EN / NEMA test fingers / 12 mm foreign bodies). The current collectors are also designed finger-safe when engaged in the rails, but in areas where they leave the rails, such as intersections and switch points, they must be additionally protected using power switches, covers or distance. Installations with voltages over 25 V DC and 60 V AC in publically accessible areas must be secured by covers, installation away from accessible areas or other suitable means.

Installations in which the insulation characteristics may be reduced by conductive dust or moisture must be installed away from access by people and be marked as high-voltage electrical equipment with warning signs. In areas with high operating voltage (> 690 V) and installations in a highly contaminated environment with conductive dust or moisture, insulators must be used.

The single-pole system can be built with any number of poles and extended in a modular manner. Components for the protective conductor are marked in green or green/yellow and may not be used as phase components. Using installed parts and position coding, it is impossible to engage the PE current collector into a phase pole, or to mix phases. We recommend laying out the PE contact redundantly with two current collectors.

## Mechanical Safety

Please note that the layout of conductor rails and current collectors between fixed and moving system parts must maintain a safety spacing of at least 0.5 m to avoid crushing risks, or other safety measures must be taken to prevent this risk.

In exposed installation situations, for example over traffic ways, please ask for details.

## Use of Conductor Rails

Conductor rails are classified as components or incomplete machines according to the Machine Directive MRL 2006/42/EC. The conductor rails of Program 0813 meet current standards and guidelines for the intended use of the components. For installation into the final product, the specifications valid for this product must be taken into consideration and you must proceed in accordance with the Machine Directive or with the guidelines valid for the place of installation.

## Use outdoors

Outdoors, the conductor rail should be protected from environmental influences as much as possible. Use in high humidity and low temperature areas runs the risk of condensation, the formation of frost and ice build-up on the contact surfaces. In installation in this environment, the rails, in particular aluminum rails, must be equipped with an optional rail heater. Our sales department will be glad to assist you with the layout.

## Approvals

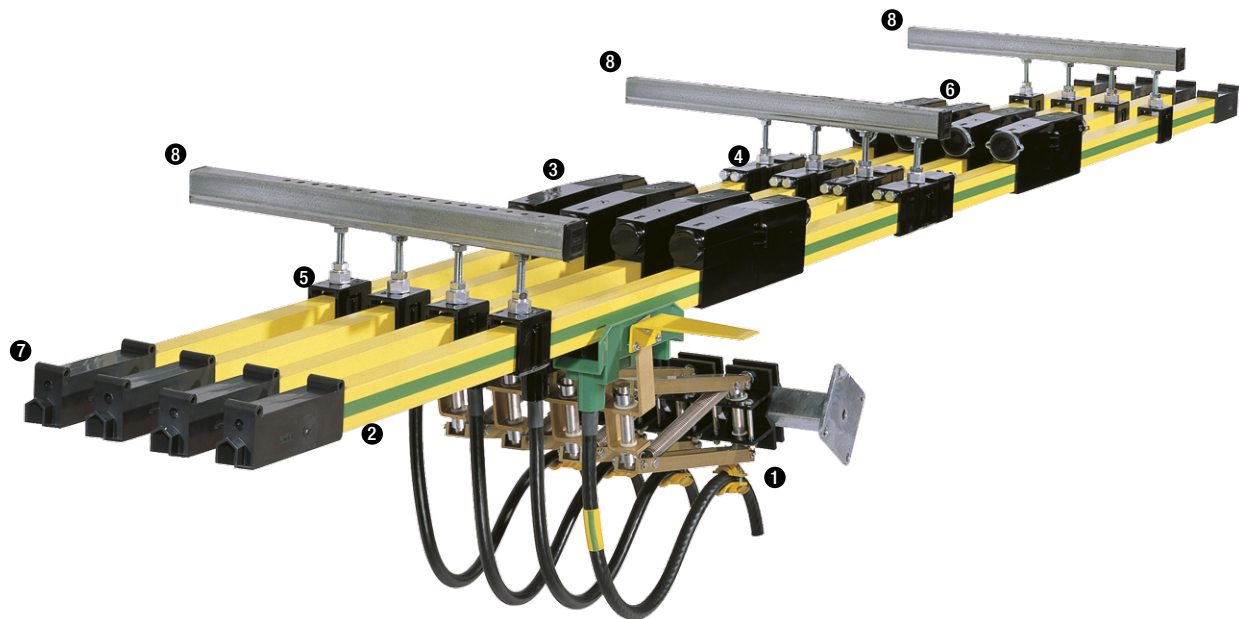
The conductor rail product line meets the product parameters required for international use for these products and has been developed in accordance with the existing standards and guidelines in the EU and the important industrial markets. In addition to IEC/EN standard compliance, the product line also has local UL/CSA and GOST-R approvals.

# System Structure

---

## Components and their use

---



- ❶ **Current Collector:** Connects to the moving part of the system. Maintains positive contact with the rail as it slides.  
Available in different sizes as single or dual current collector.
- ❷ **Conductor Rails:** Stable basic body of conductive material with contact-safe insulated profile.
- ❸ **Rail Connectors:** Clamping connectors with insulated cap. Can only be removed with a tool (safety requirement).
- ❹ **Anchor Clamps:** Clamping element for anchoring the system. Forces the rail to expand to either side of the anchor point.
- ❺ **Hanger Clamps:** Freely rotating and thus self-aligning clip-on holder for quick, safe assembly. Mounting height adjustable.  
Allows the rail to slide during thermal expansion.
- ❻ **Power Feed Connectors:** Used instead of a rail connector. Universal connection of single strands with outer diameters of up to 17 mm.
- **Expansion Units (not shown):** Changing temperature causes the conductor rail system to expand. To compensate for the expansion in systems over 200 m or systems with multiple fixed points or curves, expansion joints are used.
- ❼ **End Caps:** Rail terminator as protection against accidental contact.
- ❽ **Support Arms**
- **Pickup Guide (not shown):** For areas in which the collector must be driven in or out of the conductor rail system.
- **Air Gap (not shown):** For galvanic isolation, for example of segments during maintenance.

---

## System Advantages

---

- Robust, tried and tested industrial design
- Safe conductor rail with contact protection (finger-safe design)
- Designed to national and international standards
- High availability
- Expandable
- Partial compensation for thermal expansion
- Simple installation
- Optional safety components / functions
- Rails in safety warning color RAL 1018/1021
- CE-compliant design
- Available with any number of poles



# System Structure

## Insulated Conductor Rails

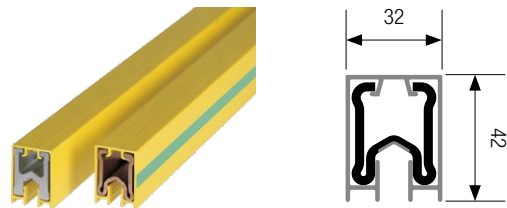
The standard product line offers electrolytic copper and aluminum as conductor materials. Copper, with its good conductivity, is the ideal conductor, with restrictions in applications in aggressive or corrosive environments. As a budget-priced alternative, aluminum rails with a stainless steel contact surface are also available. Using a special procedure, stainless steel and seawater-resistant aluminum are firmly joined with no gap, combining the advantages of both materials, that is, good conductivity and low wear, without the disadvantages of other aluminum rails available on the market with stainless steel inserts.

The conductor rails consist of the conductive rail body and the protective insulation in a contact-safe design.

As insulation material, PVC is used in standard applications  
For higher ambient temperatures halogen-free PPE+SB is used.

Rated length: 5000 mm

Colour: Safety warning RAL 1018 (PVC) / RAL 1021 (PPE+SB)



PH = Phase PE = Potential Earth

	Aluminum (with stainless steel contact surface)			Copper		
Rated current (100% duty cycle)	500 A	800 A	1000 A	500 A	800 A	1250 A
Cu figure	–	–	–	1.6 kg/m	2.86 kg/m	4.76 kg/m
Order number	Standard insulation for ambient temperatures up to +55 °C					
PH	081313 -5 x 11*	081314 -5 x 11*	081319 -5 x 11*	081315 -5 x 11	081316 -5 x 11	081317 -5 x 11*
PE (green color stripes)	081313 -5 x 12*	081314 -5 x 12*	081319 -5 x 12*	081315 -5 x 12	081316 -5 x 12	081317 -5 x 12*

Order number	Insulation for ambient temperatures up to +85 °C					
PH	081313 -5 x 21	081314 -5 x 21	081319 -5 x 21	081315 -5 x 21	081316 -5 x 21	081317 -5 x 21
PE (green color stripes)	081313 -5 x 22	081314 -5 x 22	081319 -5 x 22	081315 -5 x 22	081316 -5 x 22	081317 -5 x 22

Short lengths of 1, 2 and 3 m are available upon request for an additional price for cutting costs

Order No. for semistandard: 0813-\_\_-length x \_\_ (length = 1 for 1 m, 2 for 2 m, and 3 for 3 m), lengths > 6 m on request – example **1m**: 0813xx-1 x 11

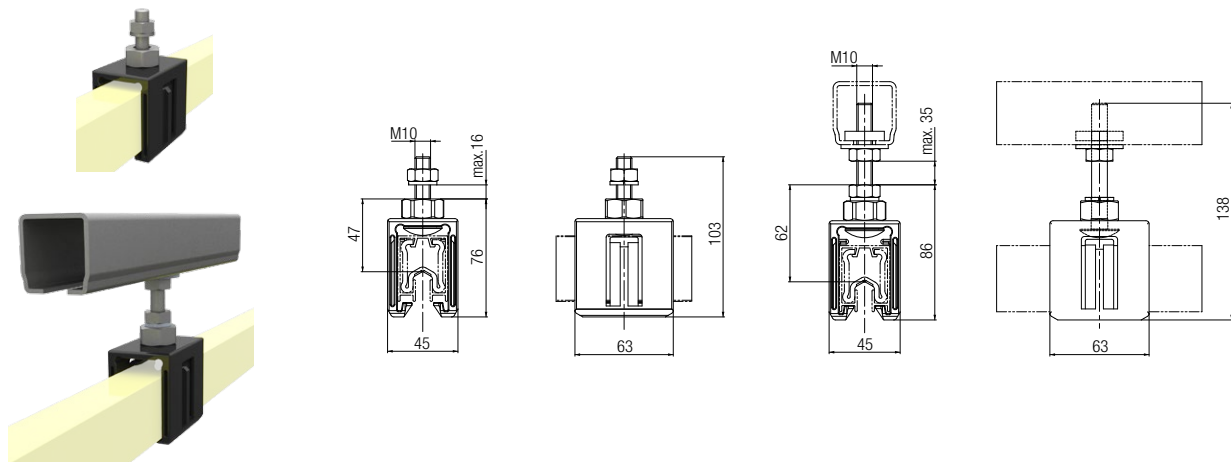
\* Standard range

### Technical Data – Rail Length 5000 mm ± 3 mm

DC resistance [Ω/1000m] 20 °C	0.092	0.071	0.049	0.097	0.054	0.031
DC resistance [Ω/1000m] 35 °C	0.097	0.074	0.051	0.104	0.057	0.033
Impedance [Ω/1000m] 20 °C/50Hz	0.152	0.140	0.134	0.156	0.134	0.126
Impedance [Ω/1000m] 35 °C/50Hz	0.157	0.144	0.137	0.161	0.136	0.127
Weight [kg]	6.92	8.36	10.23	10.36	16.9	25.23

# Hanger Clamps

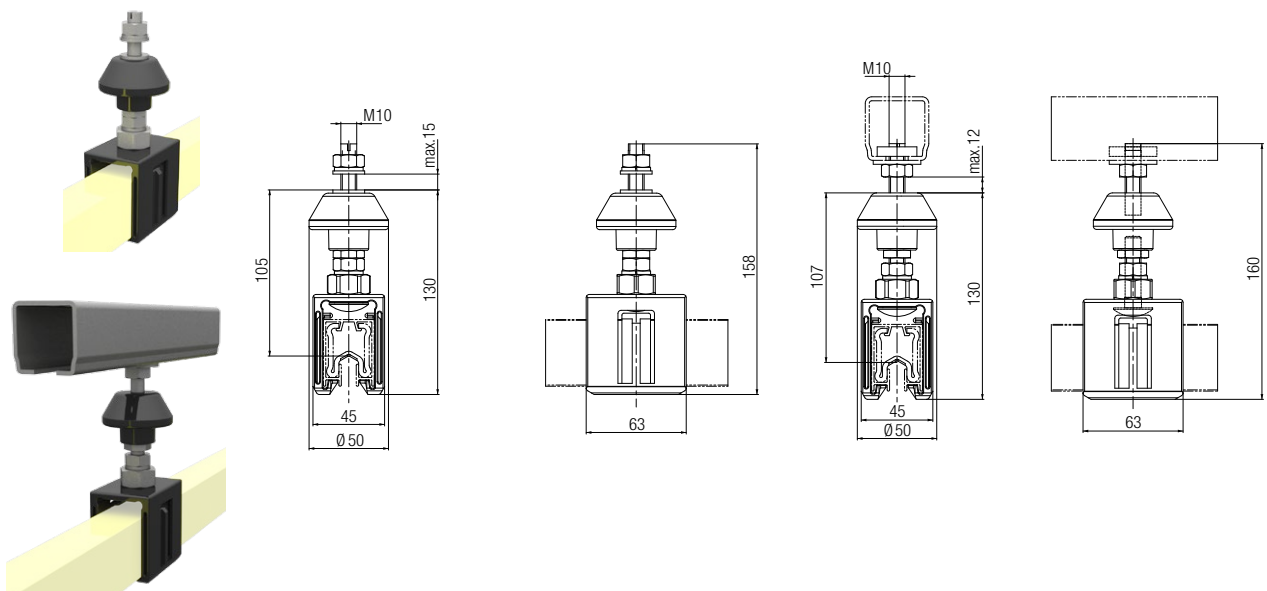
## Hanger Clamps



Order No.	Designation	Weight [kg]
081341-01*	Hanger Clamp galvanized with hex nut	0.115
081343-01*	Hanger Clamp galvanized with square nut	0.185
081341-02*	Hanger Clamp in stainless steel with hex nut	0.115
081343-02*	Hanger Clamp in stainless steel with square nut	0.185

\* Standard range

## Hanger Clamps with Insulators



Suspension is carried out using freely swivelling clip-on Hanger Clamps that are self-aligning and permit low-friction slipping in case of thermal expansion. Hanger Clamps are available with hex nuts or square nuts for the mounting of Support Arms / C-rail (see installation accessories).

**Note:**

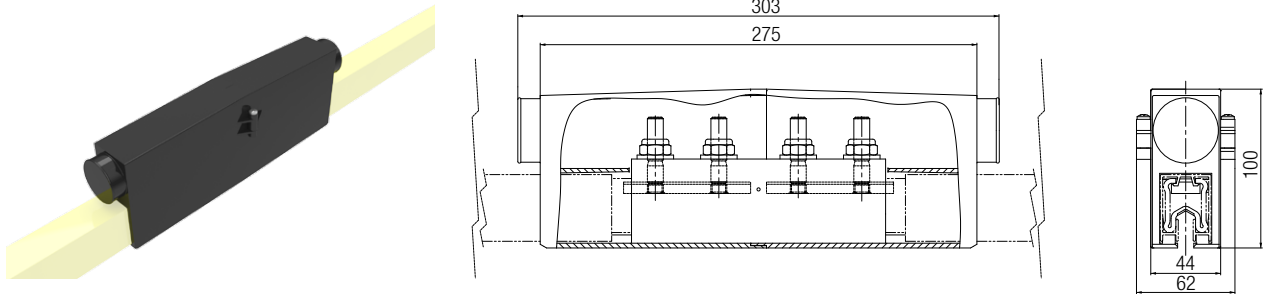
- Rated suspension spacing 2.5 m, typically 2.4 to 2.6 m
- Max. suspension spacing 2.5 m
- Hole drilled for mounting  $\varnothing$  11 mm

Order No.	Designation	Weight [kg]
081341-11	Hanger Clamp galvanized with hex nut	0.210
081343-11*	Hanger Clamp galvanized with square nut	0.280
081341-12	Hanger Clamp in stainless steel with hex nut	0.210
081343-12*	Hanger Clamp in stainless steel with square nut	0.280

\* Standard range

# Rail Connectors and Power Feed Connectors

## Rail Connectors

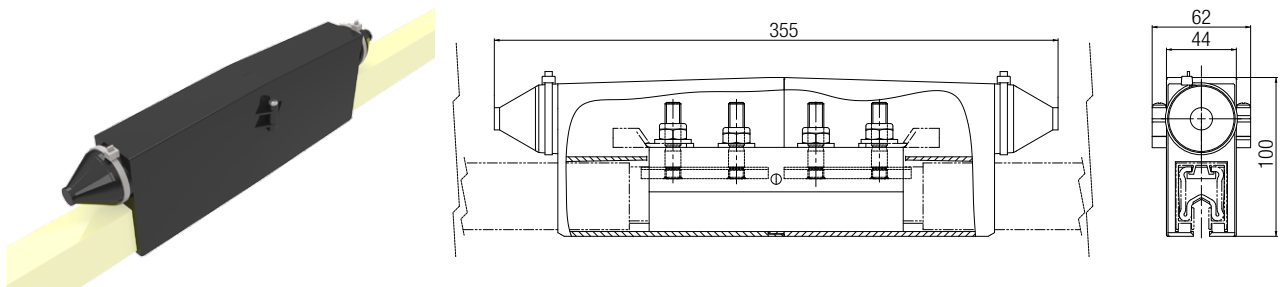


Rails are connected using compact screw connections. The rail connections must have exposed metal on all contact surfaces and be coated with a thin layer of contact grease (order no. 080021) to protect against corrosion. When mounting clamping screws, use a torque wrench to achieve correct tightening torques.

Order No.	Designation		Weight [kg]
081321-1	Connector for copper rails 500/800 A	Galvanized	1.1
081321-2*	Connector for aluminum rails		1.0
081321-3*	Connector for copper rails 1250 A	Stainless Steel	1.6
081321-4	Connector for aluminum rails		1.0
081321-5	Connector for copper rails 1250 A		1.6
081321-6	Connector for copper rails 500/800 A		1.1
080021*	Contact grease, one 20 g tube (for approx. 200 connection points)		0.030

\* Standard range

## Power Feed Connectors



The power feed uses a power connector; these replace the normal rail connectors. Electrical connection is provided using projecting bolts and notch-type cable Lugs (cable and cable lugs not included; please order separately).

### Note:

- Tightening torque max. 31 Nm
- Max. outer cable diameter 25 mm
- Use contact grease 080021

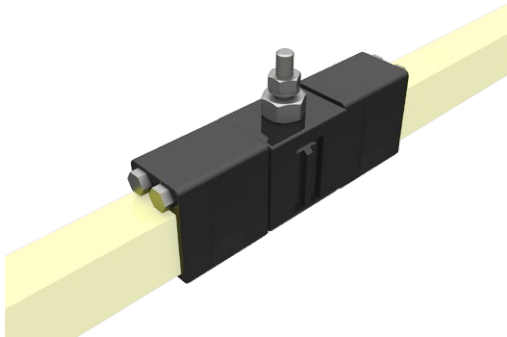
Order No.	Designation		Weight [kg]
081351-2*	Power feed connector for aluminum rails	Galvanized	1.0
081351-3*	Power feed connector for copper rails		1.6
081351-4	Power feed connector for aluminum rails	Stainless Steel	1.0
081351-5	Power feed connector for copper rails		1.6

\* Standard range

**Notch-type Cable Lugs** see page 12

# Anchor Clamps and End Caps

## Anchor Clamps



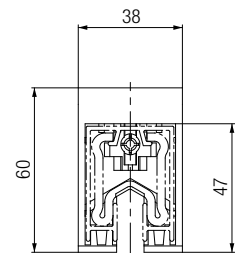
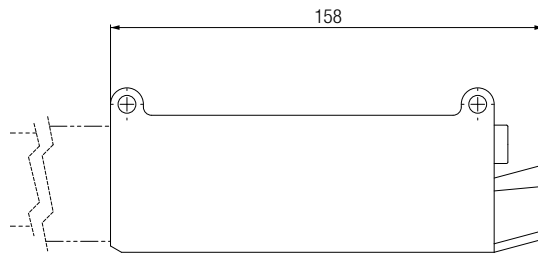
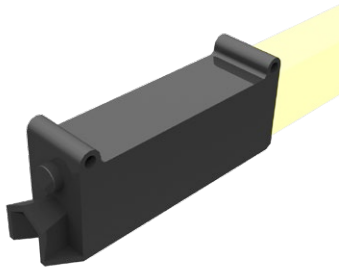
The rails are fixed in one place with Anchor Clamps and can expand freely from that point out. The fixed point is mainly for single feed applications attached close to the power feed or in the center of the conductor rail system. If multiple fixed points are planned, for example at intersections or curves (natural fixed point), the segment between the fixed points must be decoupled using Expansion Units. Clamps are fastened with a clamping cone on the rail insulator.

Order No.	Designation	Weight [kg]
081331-2*	Anchor Clamp	0.122

For each fixed point, order two Anchor Clamps per pole

\* Standard range

## End Caps

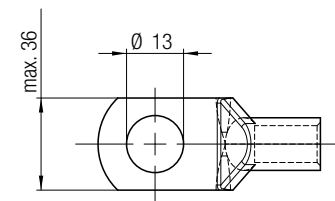
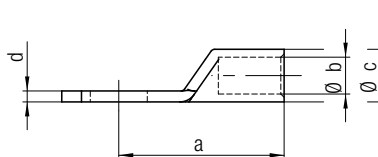


End Caps are used as a rail terminator and contact protection and are fastened to the rails using clamping screws.

Order No.	Designation	Weight [kg]
081371-2*	End Cap – Stainless Steel (DIN parts)	0.136
081373-1*	End Cap for aluminum rails 1000 A	0.136

\* Standard range

## Notch-type Cable Lug for Power Feed Line

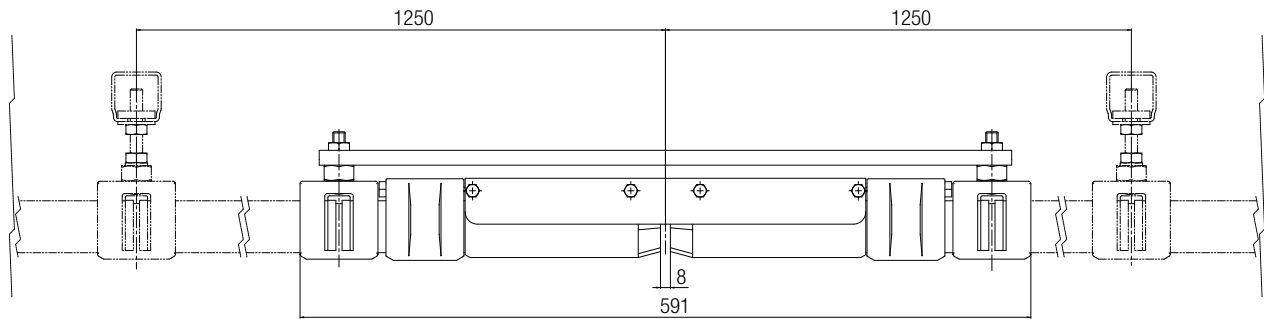


Order No.	Cross section [mm <sup>2</sup> ]	a [mm]	b [mm]	c [mm]	d [mm]	Weight [kg/1000]
080052-025*	25	36	7.0	10.0	1.9	14.400
080052-035*	35	39	8.5	12.0	2.7	22.400
080052-050*	50	43	10.0	14.0	3.3	32.700
080052-070*	70	46	12.0	16.5	4.6	47.400
080052-095*	95	50	13.5	18.0	4.6	58.600
080052-120*	120	52	15.0	19.5	4.5	66.400
080052-150*	150	58	16.5	21.0	4.5	81.000
080052-185*	185	65	19.0	24.0	5.0	116.700

\* Standard range    Material: Copper, tin-plated    Order lot size 10 pcs. per size

# Air Gaps

## Air Gaps

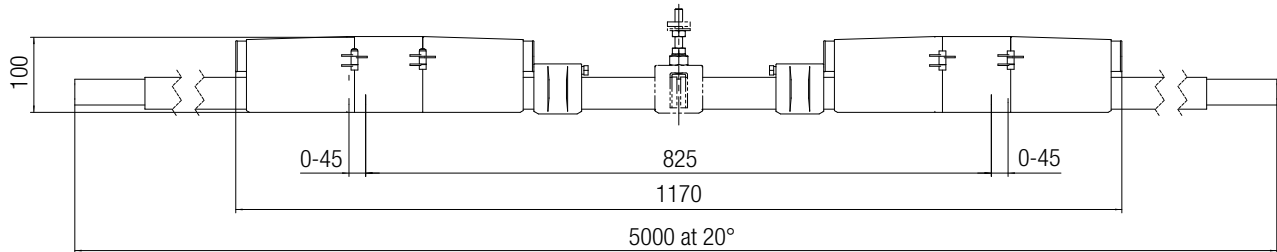


Air Gaps are used for the galvanic isolation of sections, such as maintenance segments that can be supplied with power and turned off separately. For each separation point, two Air Gaps must be mounted at a suitable distance to avoid power carryover through the Current Collectors.

Order No.	Designation	Weight [kg]
081394-2	Air Gap	2.50
081395-2	Air Gap for aluminum rails 1000 A	2.49

# Expansion Units

## Expansion Units



To compensate for changes in length due to temperature for systems > 200 m or segments connected between two fixed points such as Pickup Guides on both ends of the segment, or in curves (natural fixed points), expansion elements are needed to absorb the change in length. The expansion element has two expansion points, each of which can absorb 25 mm of expansion. The expansion elements / expansion unit parts are, like the rails, designed as 5 m standard components.

**Note:** The middle part between the two expansion segments must be supported using hanger clamps (**not included – order separately**). When using expansion units, the use of dual Current Collectors is recommended.

	Expansion Units Standard variant		Expansion Units Heat-resistant variant		Weight [kg]
	PH (Phase)	PE (Potential Earth)	PH (Phase)	PE (Potential Earth)	
For aluminum rails 500 A	081362-5 x 2131*	081362-5 x 2132*	081362-5 x 2231	081362-5 x 2232	10.800
For aluminum rails 800 A	081362-5 x 2141*	081362-5 x 2142*	081362-5 x 2241	081362-5 x 2242	14.500
For aluminum rails 1000 A	081362-5 x 2181*	081362-5 x 2182*	081362-5 x 2281	081362-5 x 2282	16.500
For copper rails 500 A	081362-5 x 2151	081362-5 x 2152	081362-5 x 2251	081362-5 x 2252	13.800
For copper rails 800 A	081362-5 x 2161	081362-5 x 2162	081362-5 x 2261	081362-5 x 2262	22.500
For copper rails 1250 A	081362-5 x 2171*	081362-5 x 2172*	081362-5 x 2271	081362-5 x 2272	31.600

Design: Fastening and DIN parts in stainless steel – rated length 5000 mm (16.40 feet). Hanger Clamps in the middle segment not included in scope of delivery – please order separately!

Delivery: completely pre-assembled at the factory. Adjustment of the two expansion gaps according to the table on page 15, depending on temperature values.

\* Standard range

### Layout notes

Changes in ambient temperature and intrinsic heating cause the conductor rails and the insulation to expand differently. The SinglePowerLine 0813 conductor rail system has a partial thermal expansion system. The difference in thermal expansion between the insulation and the rails is compensated for in each individual rail. For this reason, the insulation profile is specified shorter than the rail and the compensation takes place in the area of the connector caps without influencing the contact guard.

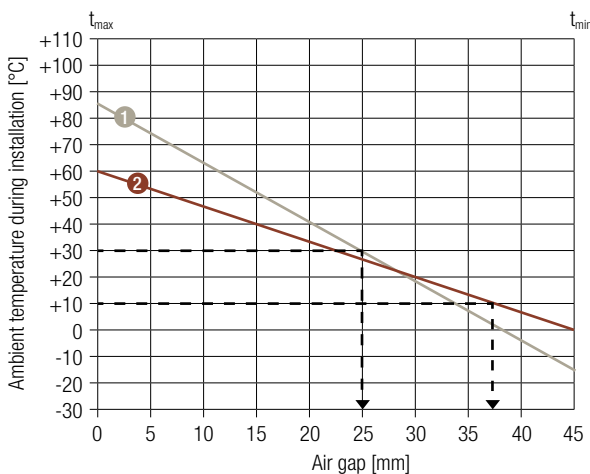
By using self-aligning, rotating Hanger Clamps, the rail line can expand without friction and thus be laid out up to a length of 200 m without additional Expansion Units. If the power feed is in the middle with a fixed point at the power feed, installations of up to 200 m can be laid out without expansion elements by allowing the segment to expand freely to each side for 100 m from the fixed point.

For installations of greater length, multiple fixed points such as Pickup Guides or curves that also have a fixed position due to a fixed point or mechanical attachment, expansion joints must be used to absorb the changes in length.

Pickup Guides and curves are to be considered as fixing points.

# Expansion Units

## Expansion Units



### Legend:

$t_{min}$  lowest temperature that occurs in the application  
 $t_{max}$  highest possible working temperature in the application

1. Draw a connecting line from  $t_{min}$  to  $t_{max}$ .
2. Draw the ambient temperature during installation as a horizontal line.
3. Draw a vertical line down from the point of intersection of these two lines, and read off the air gap to be used during installation.

### Examples:

- ① Temperature range: from -15 °C to +85 °C  
 Ambient temperature during installation: +30 °C  
 Air Gap: 25 mm
- ② Temperature range: from 0 °C bis +60 °C  
 Ambient temperature during installation: +10 °C  
 Air Gap: 37 mm

### Number of Expansion Units for systems over 200 m in length

For rail conductor installations over 200 m in length, Expansion Units must be installed at specific intervals, as shown in Diagram 3. In complicated curves and other special installations, as well as for fixed point arrangements at the end of the system, special intervals must be used. Please contact us.

Number of Expansion Units		1		2		3		4		5		Intermediate length a	
		Al	Cu	Al	Cu	Al	Cu	Al	Cu	Al	Cu	Al	Cu
		Total length of the conductor rail [m]											
$\Delta t_{ges}$	10	400	400	600	600	800	800	1000	1000	1200	1200	200	200
	20	387	400	575	600	762	800	950	1000	1138	1200	187	200
	30	325	376	450	553	575	729	700	905	825	1082	125	176
	40	293	332	387	464	481	597	575	729	669	862	93	132
	50	275	306	350	412	425	517	500	623	575	729	75	106
	60	262	288	325	376	387	464	450	553	512	641	62	88
	70	253	275	307	351	360	427	414	502	468	578	53	75
	80	247	266	294	332	340	398	387	464	434	531	47	66
	90	242	259	283	317	325	376	366	435	408	494	42	59
	100	237	253	275	306	312	359	350	412	387	464	37	53

Al = Aluminum, Cu = Copper

$$\Delta t_{ges} = \Delta t_U + \Delta t_{sw}$$

$\Delta t_U$  = Temperature range of the ambient temperature

$\Delta t_{sw}$  = Temperature increase due to electric current (electrical thermal load)

Recommended values for  $\Delta t_{sw}$ :

10 °C up to 40% duty cycle

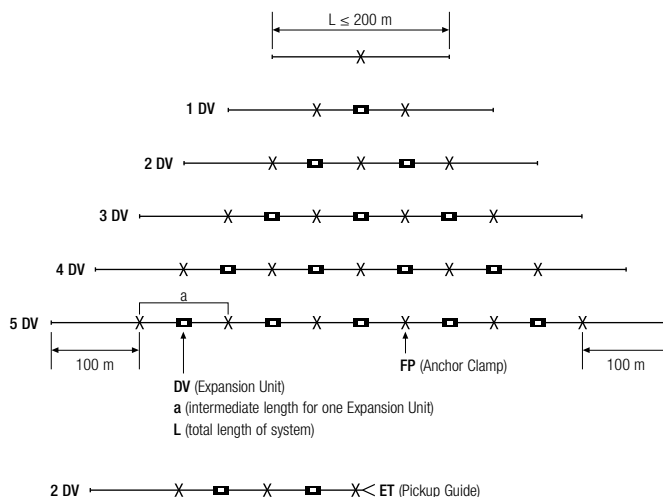
20 °C up to 65% duty cycle

30 °C up to 100% duty cycle

For longer systems than those in the table above, use:

$$\frac{L - 200}{a} = \text{number of Expansion Units}$$

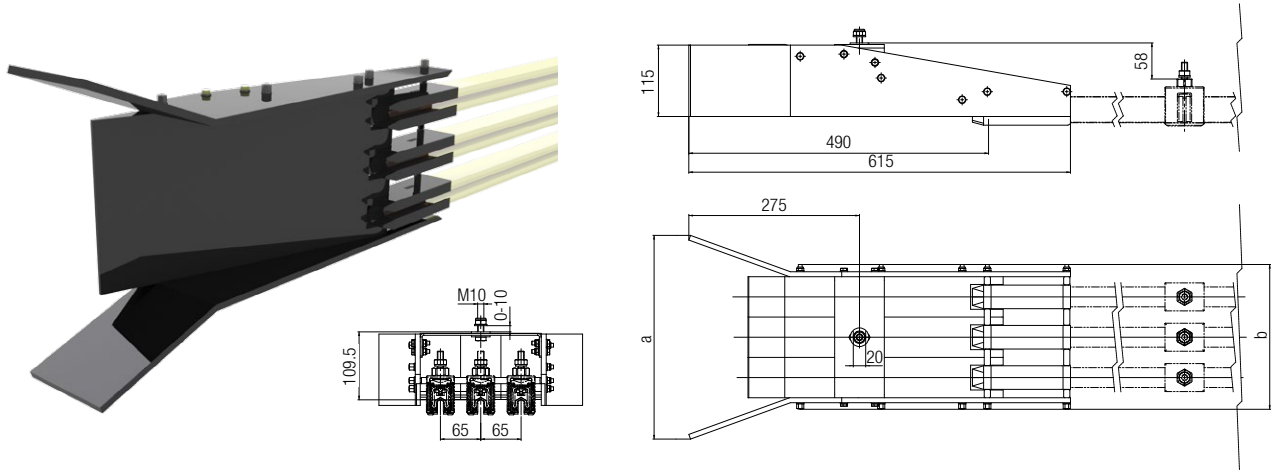
Diagram 3



**Note:** Intersection Pickup Guides and curves are fixed points, so these areas must also be taken into consideration when laying out the system.

# Pickup Guides for Intersections

For areas in which the collector must be driven in or out of the conductor rail system, Pickup Guides are used in combination with Current Collectors provided for this purpose. The speed for Pickup Guide entry must not exceed 80 m/min and that Pickup Guides must be considered wearing parts. Installation tolerances must be taken into consideration. Simultaneous alignment gaps with maximum tolerances in the X and Y directions are not permitted.



Dimensions [mm]	Number of poles				
	1	2	3	4	5
a	200	265	330	395	460
b	105	170	235	300	365

- The Pickup Guide centers the Current Collector with a maximum lateral and vertical alignment tolerance of  $\pm 25$  mm.
- Settings of less than  $\pm 10$  mm are recommended.
- In installations with Pickup Guides, a corresponding number of Current Collectors must be available, and mounted in intervals that ensure that just the necessary number of Current Collectors needed for momentary power requirements are in use.

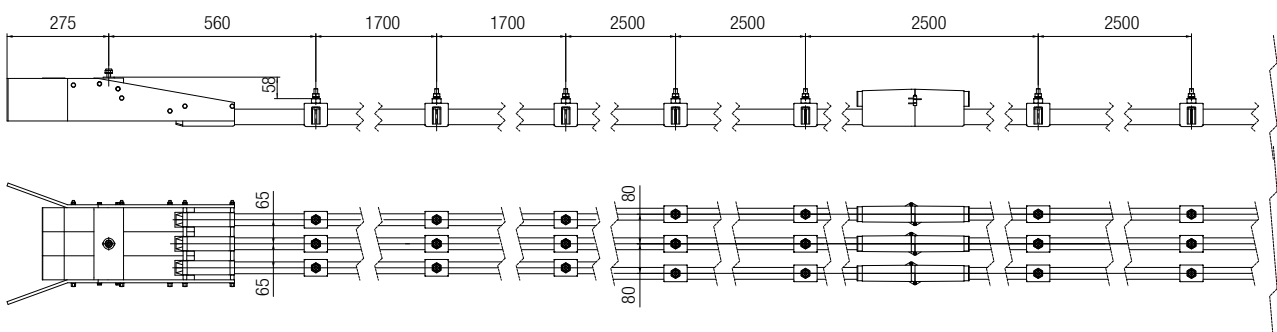
**The user must ensure that the Current Collectors between the Pickup Guides are disconnected from power or are protected against accidental contact.**

Order No.	Type of fastening elements: stainless steel	Weight [kg]	
081382-12	1-pole Pickup Guide	1.86	
081382-22	2-pole Pickup Guide	2.63	
081382-32	3-pole Pickup Guide	3.40	
081382-42	4-pole Pickup Guide	4.17	
081382-52	5-pole Pickup Guide	4.94	
081383-12	for Aluminum 1000 A	1-pole Pickup Guide	1.86
081383-22		2-pole Pickup Guide	2.63
081383-32		3-pole Pickup Guide	3.40
081383-42		4-pole Pickup Guide	4.17
081383-52		5-pole Pickup Guide	4.94

## Installation note

The middle distance between two conductors is 80 mm. This is reduced to 65 mm using the last Hanger Clamp before the Pickup Guide in order to ensure that the Current Collector enters the Pickup Guide precisely. The Pickup Guide is delivered complete with End Caps. The End Caps are pushed onto the rails with a soft-head hammer until they hit the end stops. The clamping screws are then tightened firmly.

## Hanger Clamp spacing for installations with Pickup Guides



Please note also the instructions for mounting the PE Current Collector for installations with Pickup Guides.

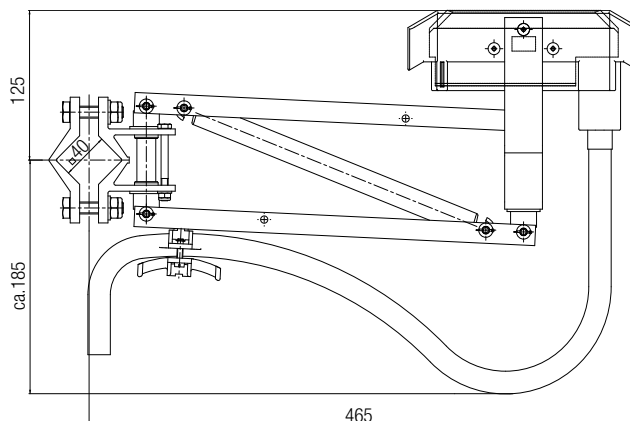
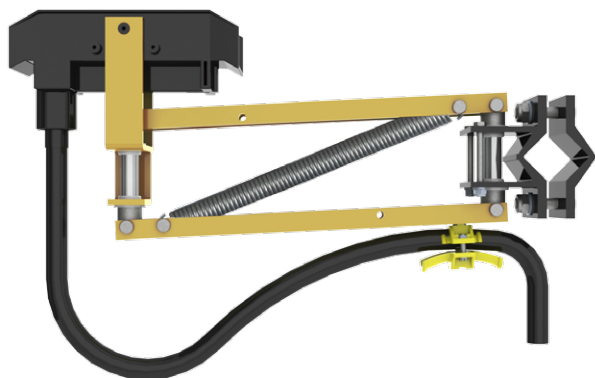






# Current Collectors

## Current Collectors 250 A



### Technical data

<b>Max. current capacity</b>	250 A (for aluminum rails in standstill mode at 100% duty cycle: 125 A)
<b>Max. travel speed</b>	600 m/min; higher travel speeds upon request
<b>Pressing force</b>	28 N
<b>Lateral deviation</b>	± 100 mm
<b>Working stroke in insertion direction</b>	± 40 mm
<b>Connection cable</b>	70 mm <sup>2</sup> , 1.5 m long, high-flexibility; longer connection cable available upon request
<b>Distance between the extension arm axis and contact surface of the rail</b>	125 mm (important functional dimension)

(SAP CONFIG 3052504)

### Installation note

The user must ensure that the Current Collector's center line is exactly aligned with the center line of the conductor rail during installation, and that the specified installation spacing between the extension arm axis and the contact surface of the rail is being observed (see installation examples on page 27).

The connection cables must be highly flexible to ensure free movement of the Current Collectors and be secured with the cable binder on the Current Collector in such a way that no tension or torsion forces are transmitted to the Current Collector head.

Designation	Order No.				Weight [kg]
	PH (Phase)		PE (Potential Earth)		
	Fastening elements galvanized	Fastening elements in stainless steel	Fastening elements galvanized	Fastening elements in stainless steel	
Current collector 250 A with <b>vertical</b> insertion	081301-01*	081301-11*	081301-02*	081301-12*	2.800
Current collector 250 A with <b>horizontal</b> insertion	081303-01	081303-11	081303-02	081303-12	3.000
Current collector 250 A with <b>vertical</b> insertion for intersection <sup>1)</sup> with Pickup Guides 081382	081304-01	081304-11	081304-02	081304-12	3.225

<sup>1)</sup> Current Collectors for intersections are used if the path of the conductor rail installation is interrupted by branch tracks, crossing beams, etc. These Current Collectors are equipped with a middle centering device and are used with Pickup Guides.

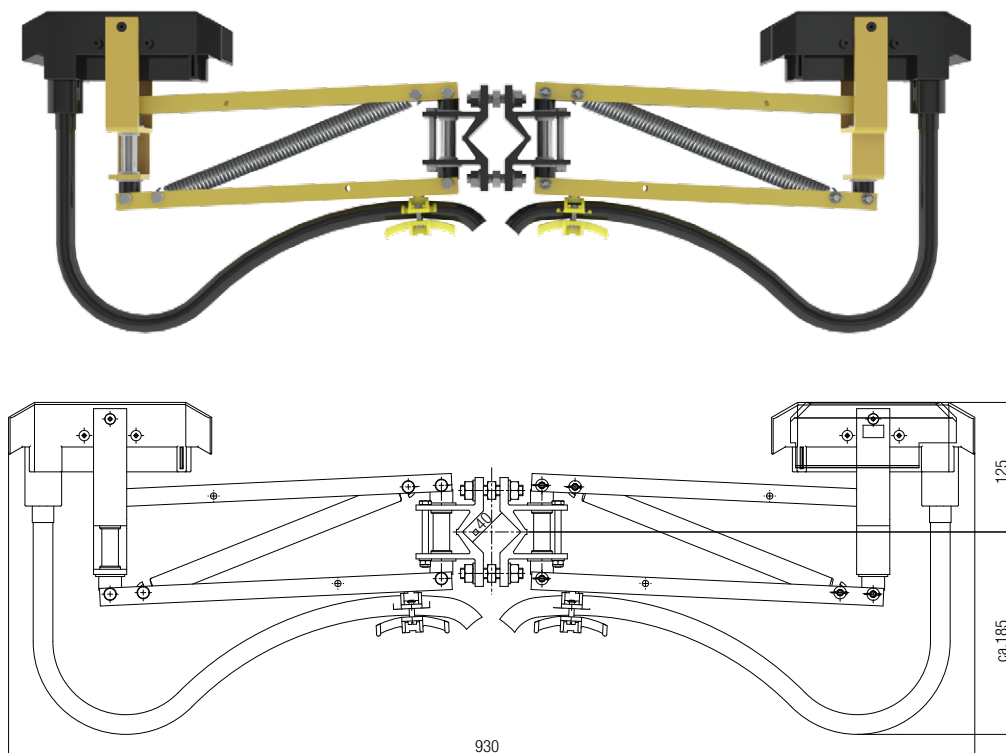
\* Standard range

(SAP KONFIG 08130X-PXL)

**Installation Examples horizontal/vertical** see page 27

# Current Collectors

## Dual Current Collectors 500 A



### Technical data

<b>Max. current capacity</b>	500 A (for aluminum rails in standstill mode at 100% duty cycle: 250 A)
<b>Max. travel speed</b>	600 m/min; higher travel speeds upon request
<b>Pressing force</b>	2 x 28 N
<b>Lateral deviation</b>	± 100 mm
<b>Working stroke in insertion direction</b>	± 40 mm
<b>Connection cable</b>	70 mm <sup>2</sup> , 1.5 m long, high-flexibility; longer connection cable available upon request
<b>Distance between the extension arm axis and contact surface of the rail</b>	125 mm (important functional dimension)

(SAP CONFIG 3052502)

### Installation note

The user must ensure that the Current Collector's center line is exactly aligned with the center line of the conductor rail during installation, and that the specified installation spacing between the extension arm axis and the contact surface of the rail is being observed (see installation examples on page 27).

The connection cables must be highly flexible to ensure free movement of the Current Collectors and be secured with the cable binder on the Current Collector in such a way that no tension or torsion forces are transmitted to the Current Collector head.

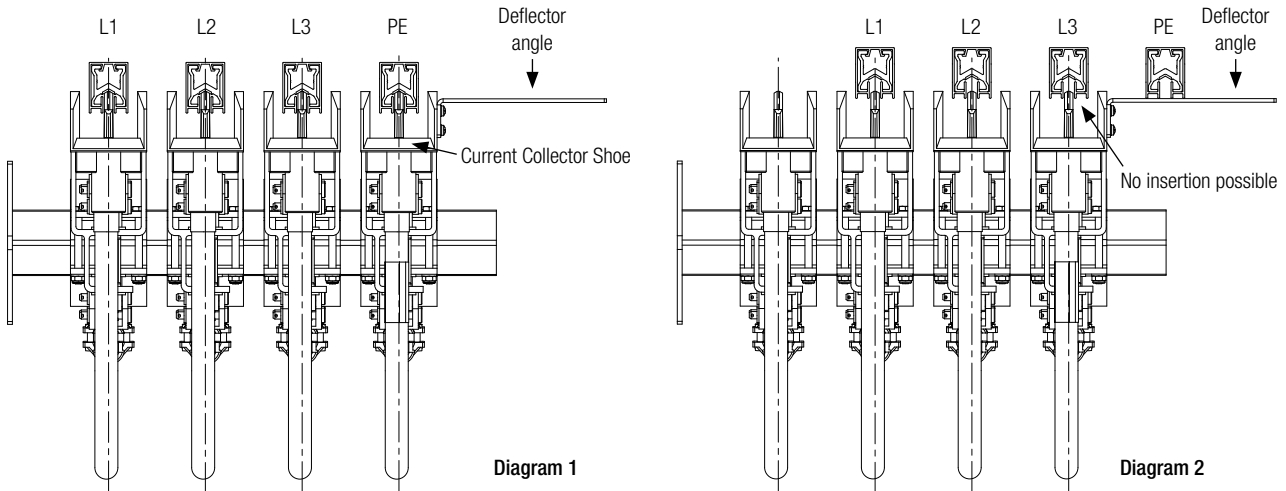
Designation	Order No.				Weight [kg]
	PH (Phase)		PE (Potential Earth)		
	Fastening elements galvanized	Fastening elements in stainless steel	Fastening elements galvanized	Fastening elements in stainless steel	
Current collector 250 A with <b>vertical</b> insertion	081301-2 x 01*	081301-2 x 11*	081301-2 x 02*	081301-2 x 12*	5.700
Current collector 250 A with <b>horizontal</b> insertion	081303-2 x 01	081303-2 x 11	081303-2 x 02	081303-2 x 12	6.100
Current collector 250 A with <b>vertical</b> insertion for intersection <sup>1)</sup> with Pickup Guides 081382	081304-2 x 01	081304-2 x 11	081304-2 x 02	081304-2 x 12	6.550

<sup>1)</sup> Current Collectors for intersections are used if the path of the conductor rail installation is interrupted by branch tracks, crossing beams, etc. These Current Collectors are equipped with a middle centering device and are used with Pickup Guides.

\* Standard range

# Current Collectors – Installation Instructions

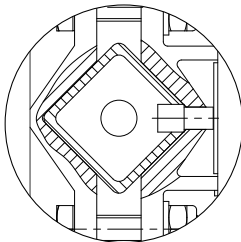
## Installation of the PE conductor Current Collector for installations without Pickup Guides



### Non-interchangeability of PE (Potential Earth) conductor Current Collectors

To comply with safety standards, Current Collectors for PE rails must be designed in such a way that they are not easily interchangeable with other Current Collectors. When determining the position of the PE conductor, you must take into consideration that the standard PE conductor Current Collector (with deflector angle) can only be mounted on the outside, since the deflector angle is fastened onto the exposed side of the PE conductor Current Collector Shoe. The deflector angle ensures that the PE conductor Current Collector can never come in contact with a phase line (see Diagram 2).

## Installation of the PE conductor Current Collector for installations with Pickup Guides



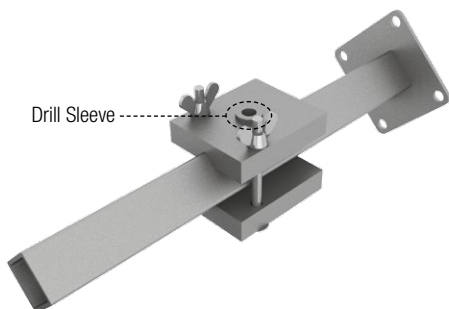
In installations with intersections, it is impossible to move the standard PE conductor Current Collector (with deflector angle) through the Pickup Guide. Thus the PE conductor Current Collector is used for intersections whose holders are equipped with a bolt for the Towing Arm. This fixes the position of the PE conductor Current Collector by being inserted into a hole drilled into the Towing Arm using the Drilling Jig listed below. This ensures that the PE conductor Current Collector can only be mounted in the place provided for it.

### Drilling Jig 08-W100-0223

To comply with regulations and guidelines, installations with Pickup Guides must have a hole drilled into the Towing Arm 020197 using Drilling Jig 08-W100-0223, which is then used to hold the bolt on the PE conductor Current Collector.

#### Installation note:

The phase Current Collectors needed are lined up on the preassembled Towing Arm 020197 and adjusted to the conductor rails. The next-to-outside phase Current Collector is used as a stop for the Drilling Jig. The Drilling Jig must be attached so that the drill sleeves point outwards – see illustration below. In this position, the mounting spacing is 80 mm.



Designation	Order No.	Weight [kg]
Drilling Jig	08-W100-0223	0.700





# Dimensioning and Layout of Conductor Rail System

The dimensioning and layout of a conductor rail system is done as follows:

- A: Determine the load current
- B: Select the rail type
- C: Check the voltage drop for the selected rail type
- D: Check of ambient conditions
- E: Select accessories and Current Collectors

## A. Determining the load current (total rated current $I_{NG}$ )

To determine the total expected load current, individual currents of the highest draw consumers that can operate simultaneously are added up. If the entire installed power is summed, the rail capacity will be over-specified. To avoid overdimensioning, the individual currents are evaluated for simultaneity. To optimize the system, it is always wise to consider individual consumers that cannot be operated simultaneously (e.g. a crane's slewing gear can only be operated when the crane trolley is stopped), and then only the consumer (the slewing gear or the trolley) with the higher current consumption is used.

If multiple units are installed on a single track, for example three cranes on one crane track, the probability of simultaneous operation in the same load should be used to calculate the current. In practice, the following simple table has proved useful in calculating the total rated current  $I_{NG}$  for multiple consumers:

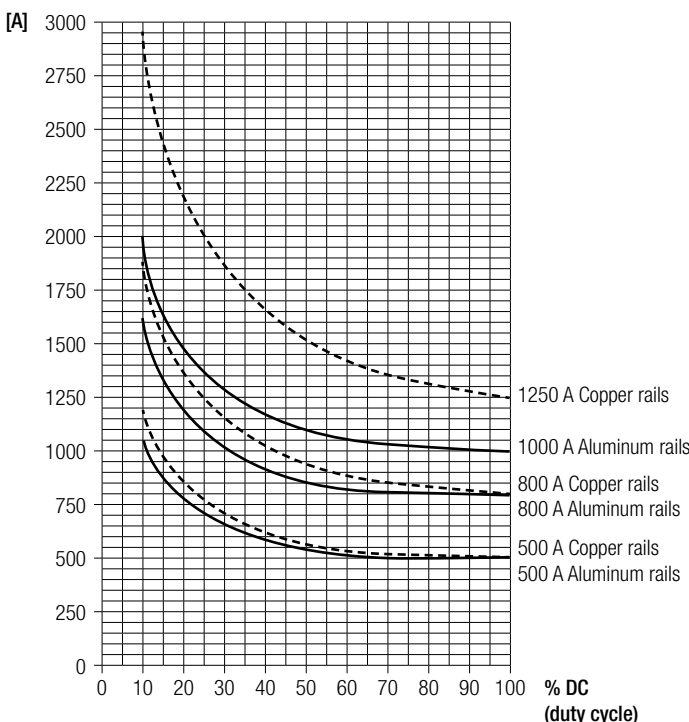
Number of cranes	$I_N$ of the most powerful motor of all the cranes $I_N^*$	$I_N$ of the second most powerful motor of all the cranes $I_N^*$	$I_N$ of the third most powerful motor of all the cranes $I_N^*$	$I_N$ of the fourth most powerful motor of all the cranes $I_N^*$
1	×	×		
2	×	×	×	
3	×	×	×	
4	×	×	×	×
5	×	×	×	×
According to work with 2 cranes	×	×	×	×

\* = For dual drives, use  $2 \cdot I_N$

## B. Rail current capacity depends on duty cycle and ambient temperature

The specified rated currents for the conductor rail are based on the definitions in European standards and are relative to an ambient temperature of 35 °C and a duty cycle (DC) of 100%. If the duty cycle is shorter, such as might be the case for a crane with finite movement, the rail can conduct higher current than the rated current.

Adjusting the rail rated current for shorter duty cycles



The load current of the conductor rail can be increased for shorter duty cycles.

**Note:** When comparing the rated currents of rails from different manufacturers, always take into consideration the reference ambient temperature and the duty cycle!

Consumptions with 100% duty cycle such as lighting, air conditioning or magnetic grippers must be taken into consideration.

100% DC  $\triangleq$   $t \geq 10$  min. (according to EN standards)

# Dimensioning and Layout

If the ambient temperatures differ from the standard value of 35 °C, the loads must be adjusted. At lower temperatures, the heat release (convection) is better and the rail can handle higher current loads. At higher temperatures, the release of thermal energy to the surrounding air is slower and the load must therefore be reduced.

The corresponding values  $f_A$  are taken from the following table:

Ambient temperature			35 °C	40 °C	45 °C	50 °C	55 °C	60 °C	65 °C	70 °C	75 °C	80 °C	85 °C
Standard insulation	Aluminum rails	$f_A$	1.0	0.92	0.81	0.76	0.68						
	Copper rails		1.0	0.93	0.87	0.82	0.78						
Heat-resistant insulation	Aluminum rails	$f_A$					1.0	0.92	0.81	0.76	0.68	0.63	0.59
	Copper rails						1.0	0.93	0.87	0.82	0.78	0.74	0.72

$$I_{SCHL\ G\ zul} = I_{SCHL\ G\ zul\ 35\ ^\circ C} \cdot f_A \quad I_{SCHL} = \text{rated current of the conductor rail for the specific ambient temperature}$$

## C. Calculating the voltage drop

After selecting the rail type based on the calculated total current depending on duty cycle and ambient temperature, the voltage drop must be checked. The calculated voltage drop must be under the value specified by the customer. Typical values here are 2-5%, or 10% in exceptional cases. If the voltage drop is too high, the voltage might be too low to all the drives to start.

The following formulas are used for the calculation:

For direct current	$\Delta U_{35\ ^\circ C} = 2 \cdot I \cdot I_G \cdot R$	[V]	$\Delta U_{35\ ^\circ C}$ = voltage drop at 35 °C	[V]
			$I_G$ = total current	[A]
			R = resistance of the conductor rail	[Ω/m]
For alternating current	$\Delta U_{35\ ^\circ C} = 2 \cdot I \cdot I_G \cdot Z$	[V]	Z = impedance of the conductor rail	[Ω/m]
			I = feed length	[m] <sup>1)</sup>
For three-phase power	$\Delta U_{35\ ^\circ C} = \sqrt{3} \cdot I \cdot I_G \cdot Z$	[V]	L = conductor rail length	[m]

**Note:**  $I_G$  here is the portion of the load current "drawn" during start-up.

<sup>1)</sup> see feed variants

This consists of the basic load, like lighting and air conditioners, and the start-up currents of the drives  $I_A$ .

For start-up current, the following applies:	Three-phase asynchronous drive in direct start	$I_A = I_G \times 5$ to 6 (up to max. 21 kW permitted)	$I_G$ = total current
	Slip ring rotor motor	$I_A = I_G \times 3$ to 5	$I_A$ = Total current consumption when starting
	Frequency converter	$I_A = I_G \times 1.2$ to 1.4	

The length I is the distance between the power feed and end position of the conductor rail segment on which the consumer is located when starting.

If the average ambient temperature is significantly over 35 °C, the voltage drop must be calculated using the following formulas:

$\Delta U\sigma = \frac{\Delta U_{35\ ^\circ C}}{f_V}$	[V]	$\Delta U\sigma$ = voltage drop at higher ambient temperature than 35 °C	[V]
		$\Delta U\sigma$ % = voltage drop at ambient temperature over 35 °C	[%]
$\Delta U\sigma\ \% = \frac{\Delta U\sigma}{U_N} \cdot 100$	[%]	$U_N$ = rated voltage	[V]
		$f_V$ = reduction factor	

To calculate the value  $f_V$ , the working temperature must first be calculated.

$\sigma_{AT} = \sigma_{UT} + \Delta \sigma_{SW} = \sigma_{UT} + 30$	[°C]	$\sigma_{AT}$ = working temperature	[°C]
		$\sigma_{UT}$ = ambient temperature	[°C]
		$\Delta \sigma_{SW}$ = temperature increase due to current heating	[°C]
		(use a constant +30 °C)	

The value  $f_V$  is based on the working temperature and the conductor rail selected and should be taken from the table "Correction factors for the voltage drop  $\Delta U$  for different ambient temperatures" on page 24.

# Dimensioning and Layout

Correction factors for the voltage drop  $\Delta U$  at different ambient temperatures

Ambient temperature		35 °C	40 °C	45 °C	50 °C	55 °C	60 °C	65 °C	70 °C	75 °C	80 °C	85 °C	
Working temperature / conductor temperature		65 °C	70 °C	75 °C	80 °C	85 °C	90 °C	95 °C	100 °C	105 °C	110 °C	115 °C	
Standard insulation	Aluminum rails 500 A	f <sub>v</sub>	0.965	0.960	0.954	0.948	0.943						
	Aluminum rails 800 A		0.976	0.972	0.968	0.964	0.960						
	Aluminum rails 1000 A		0.983	0.980	0.977	0.974	0.971						
	Copper rails 500 A		0.959	0.952	0.945	0.938	0.932						
	Copper rails 800 A		0.983	0.980	0.977	0.974	0.971						
	Copper rails 1250 A		0.993	0.992	0.991	0.990	0.989						
Heat-resistant insulation	Aluminum rails 500 A	f <sub>v</sub>					0.943	0.937	0.932	0.926	0.920	0.915	0.909
	Aluminum rails 800 A						0.960	0.956	0.952	0.948	0.944	0.940	0.936
	Aluminum rails 1000 A						0.971	0.968	0.965	0.962	0.959	0.956	0.953
	Copper rails 500 A						0.932	0.925	0.919	0.912	0.905	0.899	0.893
	Copper rails 800 A						0.971	0.968	0.965	0.961	0.958	0.955	0.952
	Copper rails 1250 A						0.989	0.987	0.986	0.985	0.984	0.982	0.981

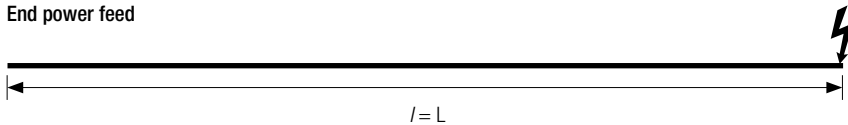
If the voltage drop is too high, then either the number of power feeds must be increased or a larger conductor rail must be selected. Additional power feeds are usually a better technical and commercial alternative than larger conductor rails or costly copper rails.

Working temperature: permanent rail temperature occurring at rated current (ambient temperature + electrical thermal heating)

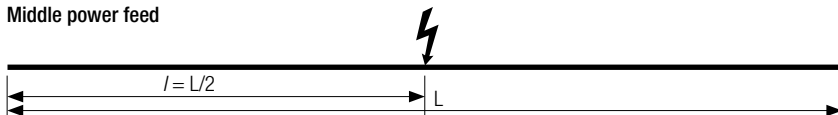
Max. working temperature: short-term (t < 30 sec) 125 °C (in heat-resistant variant)

**Possible power feed locations:** The power feed arrangement must be appropriate for the specific case, since the voltage drop is calculated with the feed length "l" that falls between the power feed and the end of the conductor rail. The following power feed options are normally used:

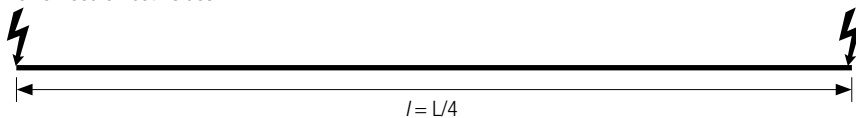
## End power feed



## Middle power feed



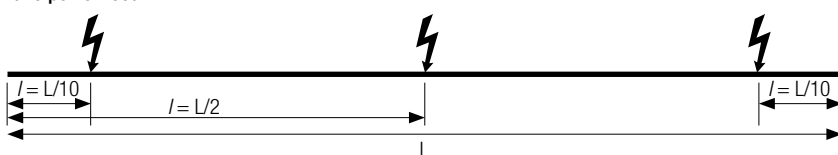
## Power feed on both sides



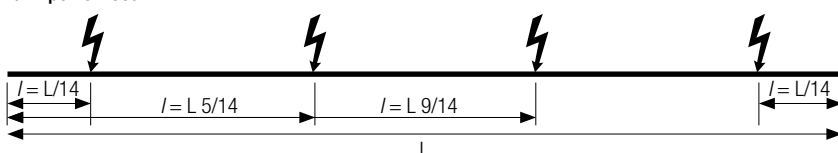
## L/6 power feed



## L/10 power feed



## L/14 power feed

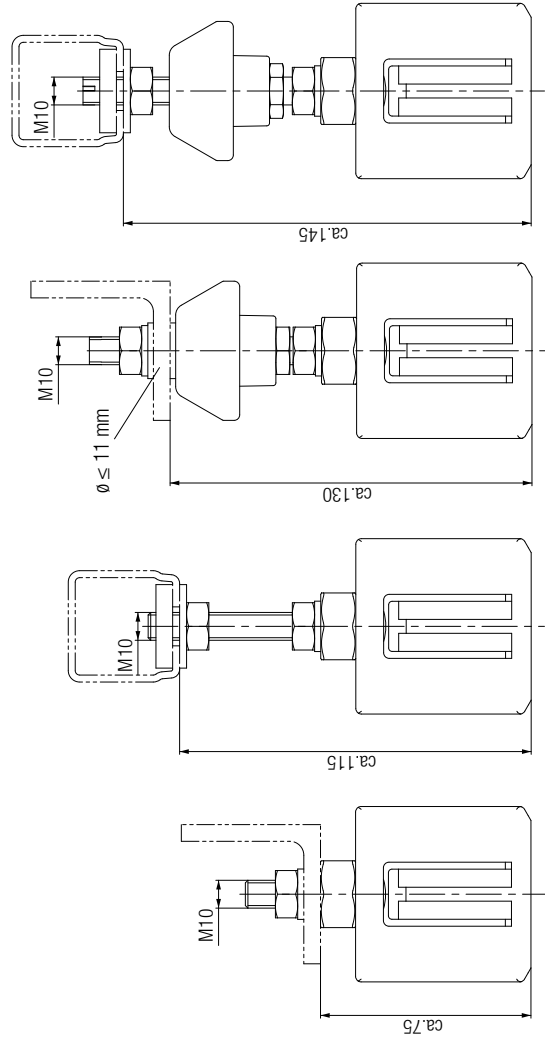
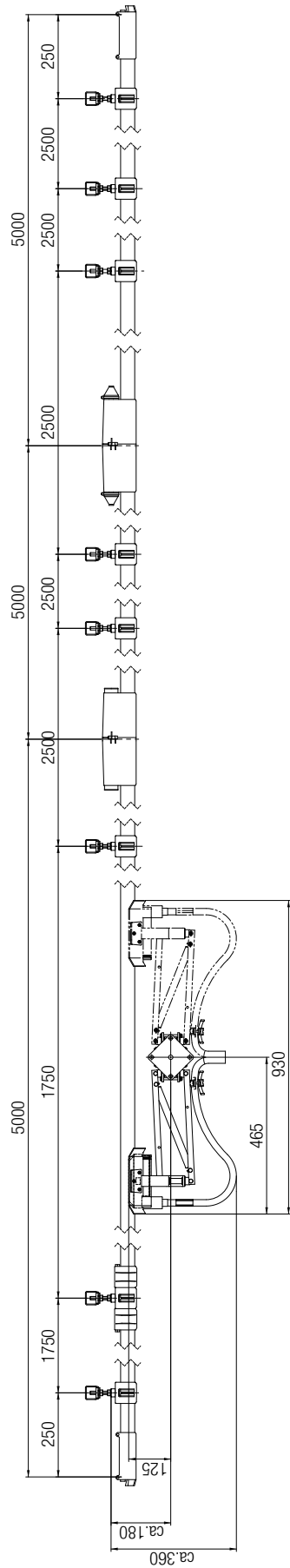


- l = L With an end power feed
- l = L/2 With a middle power feed
- l = L/4 For power feeds at both ends
- l = L/6 For two power feeds each L/6 from the ends
- l = L/10 For a power feed in the middle and L/10 from each end
- l = L/14 For four power feed points

L = length of the conductor rail [m]



# System Layout

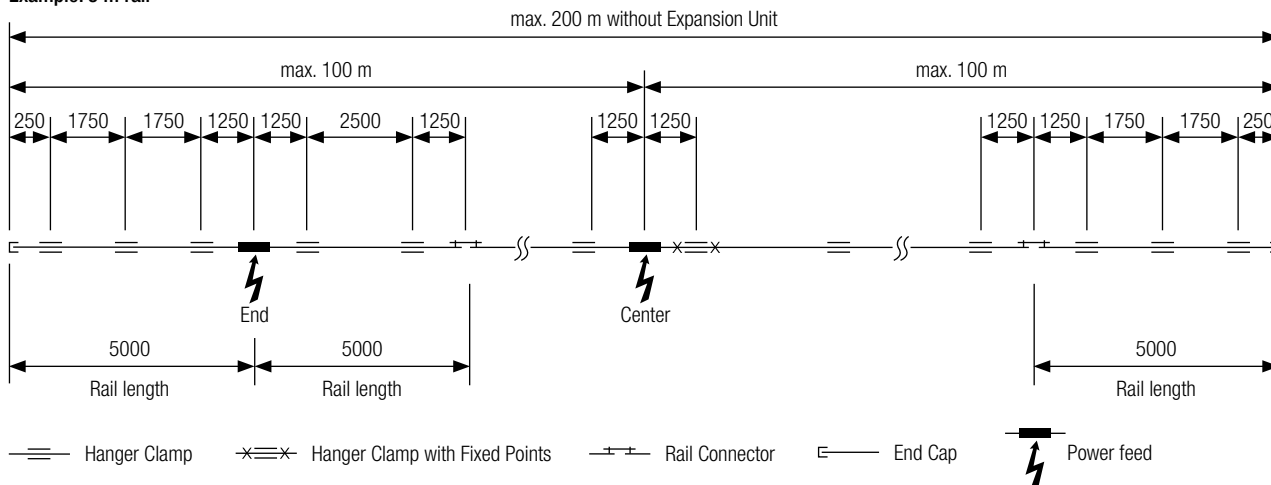


**Note:** Used outdoors, the conductor rail system must be protected from direct weather exposure as much as possible, for example by installing it under a beam and providing covering the Current Collector (to protect it from snow and ice). Outdoors, insertion of the Current Collector from below is generally preferable to lateral insertion. Also, the use of insulated holders is recommended for outdoor installations. If there is any risk of formation of frost or ice, specify heating conductors in the rail to de-ice the rail and prevent rail damage due to sparking effects on frozen rails (Aluminum rails).

# System Layout

## Layout Schematic and Component Overview

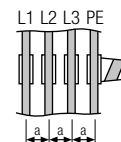
Example: 5 m rail



### Installation note

Regarding the first and the last conductor rail a support distance of 1750 and 250 mm from the beginning resp. the end of the rail is to be provided. Apart from that the support spacing is 2.5 m. The earth collector should always be installed on the outside. The centre distance between two conductors can be taken from the table below.

Distance between centers of two conductor rails	Standard current collector arrangement	Offset Current Collector arrangement	Current collector arrangement for installations with multi-poled Pickup Guides*
Minimum distance a [mm]	80	70	80



\* See mounting instructions for Pickup Guides.

### Example material overview / example order

Here is a typical crane conductor rail system that is 57 m in total length, with 4 poles, 800 A, with all accessories, Current Collectors and Support Arms. The required Bill of Materials is listed below. The order quantity should be increased by an assembly reserve for the parts marked with an (x).

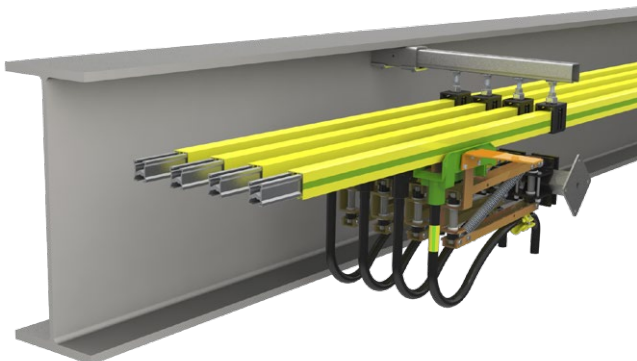
Part Description	Order No.	Quantity Needed
Conductor Rail "Phase" 5 m long	081314* -5 x 11	33
Conductor Rail "Phase" 2 m long	081314* -2 x 11	3
Conductor Rail "PE" 5 m long	081314* -5 x 12	11
Conductor Rail "PE" 2 m long	081314* -2 x 12	1
Hanger Clamp (x)	081343-01	96
Anchor Clamp	081331-1	8
Rail Connector (x)	081321-2	40
Power Feed	081351-2	4
Notch-type Cable Lug 95 mm <sup>2</sup> (x)	080052-95	8
End Cap (x)	081371	8
Current Collector "Phase"	081301 -2 x 1	3
Current Collector "PE"	081301 -2 x 2	1
Extension Arm	020197-630	1
Support Arm	020186-500	24
Girder Clip	020286	24
Mounting Comb	081046	1
Conductix-Wampfler Contact Grease (x)	080021	1
Copper Graphite Shoe (replacement part) (x)	081003-11	4

### Note:

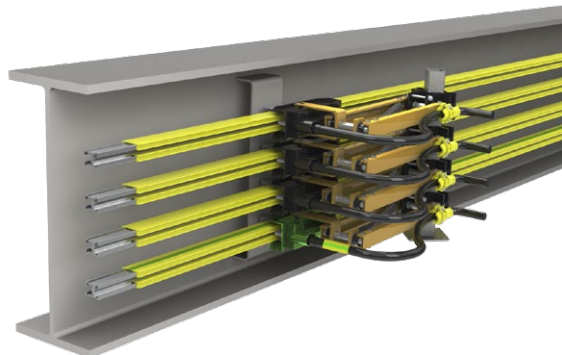
To avoid strand breakage due to external force on the Current Collector, the connection cable should be fine-stranded and highly flexible. The transition to the customer-provided fixed cabling should be directly behind the Current Collector in a terminal box provided by the customer. Long connection cables to Current Collectors should be avoided to reduce maintenance problems.

# Layout Examples

## Standard Current Collector Layout



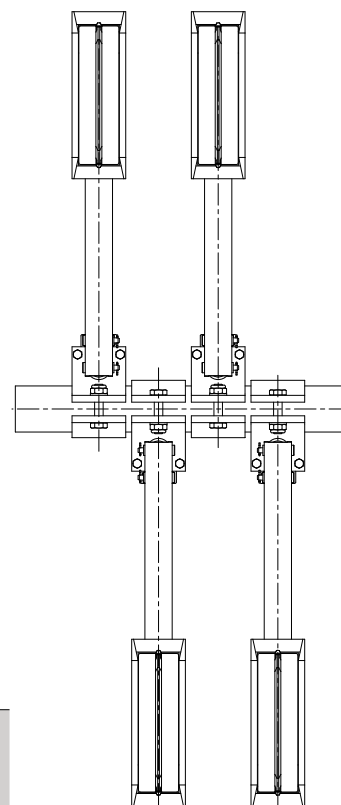
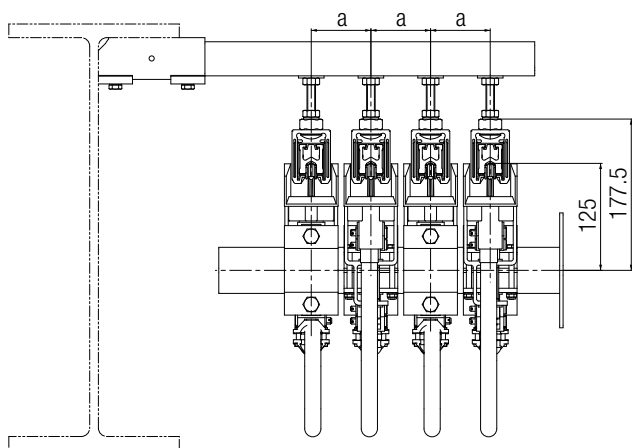
Horizontal installation of conductor rails /  
Vertical insertion of Current Collectors



Vertical installation of conductor rails /  
Horizontal insertion of Current Collectors

## Offset Current Collector Arrangement

Vertical and horizontal  
insertion of Current Collectors



For installations without transfer points the current collectors for vertical and horizontal operation can be staggered. This way the centre distance between two conductor rails is reduced by 10 mm.

Distance between centers of two conductor rails	Standard current collector arrangement	Offset Current Collector arrangement	Current collector arrangement for installations with multi-poled Pickup Guides*
Minimum distance a [mm]	80	70	80

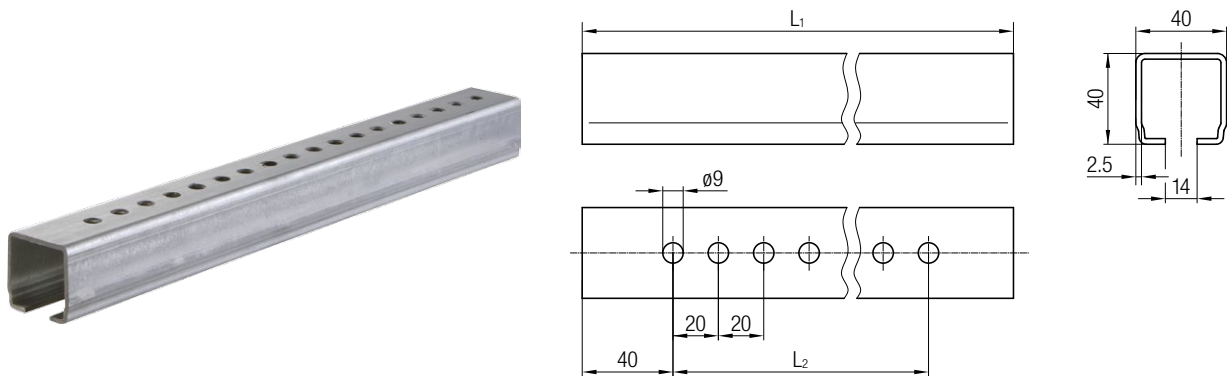
\* See mounting instructions for Pickup Guides.

### Installation note

Please note that the centre line of the current collector is mounted to the centre line of the conductor rail. The distance between towing arm and conductor rail must be set according to the dimension indicated in above table and sketches.

# Mounting Accessories

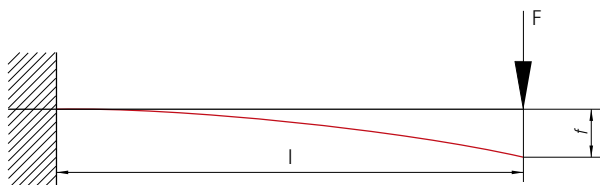
## Support Arms 40 × 40 × 2,5 mm - perforated



Order No.	L <sub>1</sub> [mm]	L <sub>2</sub> [mm]	Material	Weight [kg]
020186-0250	250	200	Galvanized steel	0.625
020186-0315	315	260		0.785
020186-0400*	400	340		1.000
020186-0500*	500	340		1.250
020186-0630*	630	340		1.575
020186-0800	800	340		2.000

\* Standard range

## Permissible load for Support Arms 40 x 40 mm



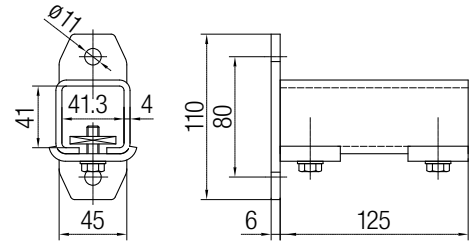
	l [m]							
	0.25	0.32	0.40	0.50	0.63	0.80	1.00	1.25
F [daN]*	164.5	128.5	103.0	82.5	65.5	51.3	41.0	32.9
f [cm]	0.06	0.10	0.16	0.25	0.40	0.63	1.07	1.68

\* Calculated with  $\sigma = 140 \text{ N/mm}^2$  voltage

f = associated max. deflection

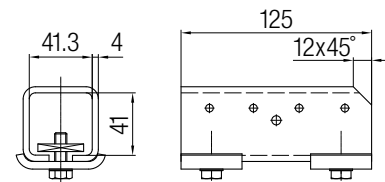
# Mounting Accessories

## Holder for Support Arms 40 × 40 × 2,5 for screw mounting with 2-holed connector plate



Order No.	Description	Suitable for Support Arm	Weight [kg]
020282	Galvanized steel	020186	1.000

## Holder for Support Arms 40 × 40 × 2,5



Order No.	Description	Suitable for Support Arm	Weight [kg]
020286	Unplated steel with galvanized hardware	020186	0.730

# Mounting Accessories

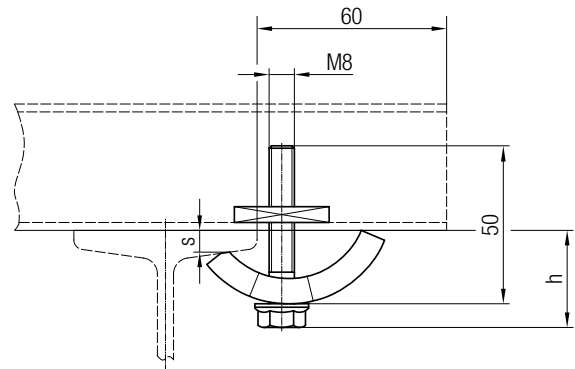
## Girder Clips, clamping thickness 4 - 20 mm



Order No.	Description	Weight [kg]
020180-08*	Galvanized steel	0.150
020480-08	Stainless steel (V4A)	0.150

\* Standard range

Clamping thickness s [mm]	4	6	8	10	12	16	20
Installation height h [mm]	31	32	33	34	35	37	40

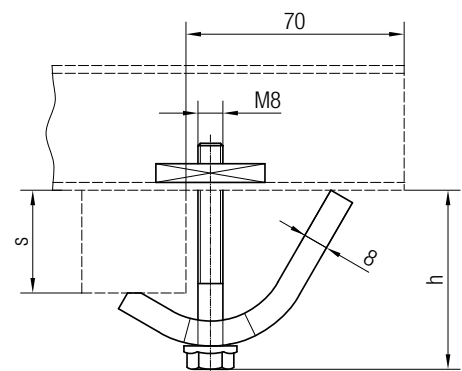


## Girder Clips, clamping thickness 18 - 36 mm



Order No.	Description	Weight [kg]
020180-08 x 36	Galvanized steel	0.220
020480-08 x 36	Stainless steel (V4A)	0.220

Clamping thickness s [mm]	18-20	20-24	24-28	28-32	32-36
Installation height h [mm]	42-44	44-48	48-52	52-56	56-60

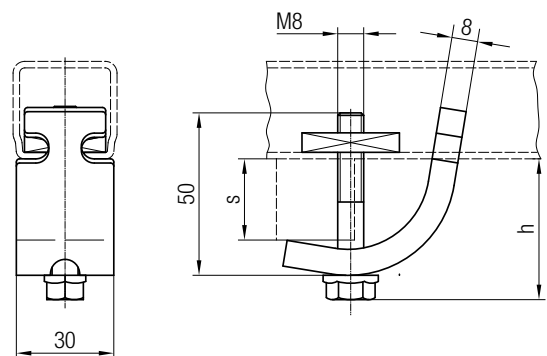


## Girder Clips, non-twistable, clamping thickness 6 - 25 mm



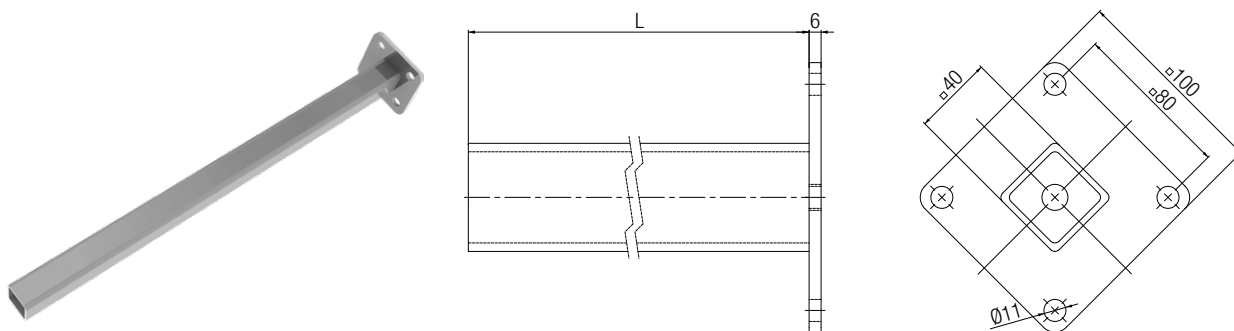
Order No.	Description	Weight [kg]
020181-08	Galvanized steel	0.190

Clamping thickness s [mm]	6-25
Installation height h [mm]	32-40



# Mounting Accessories

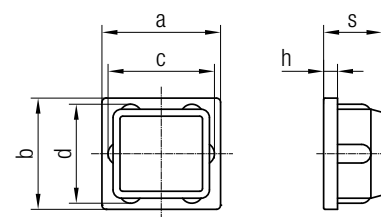
## Towing Arms



Order No.	Description	L [mm]	Weight [kg]
020197-400	Galvanized steel	400	2.0
020197-630*		630	2.5
020197-800		800	3.0

\* Standard range

## End Caps

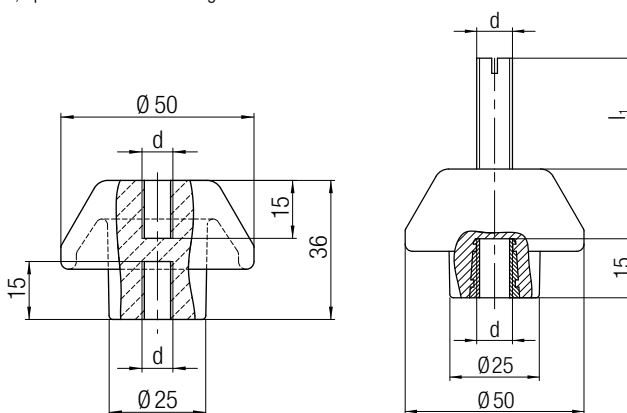


Order No.	For C-rails	Description	a [mm]	b [mm]	c [mm]	d [mm]	s [mm]	h [mm]	Weight [kg]
020662-30	023200	Plastic	30	32	27	29	4	18	0.005
020662-31	023201		30	30	28	28	5	16	0.004

## Insulators

Insulators for indoor applications with high contamination and/or applications outdoors, up to 1000 V rated voltage

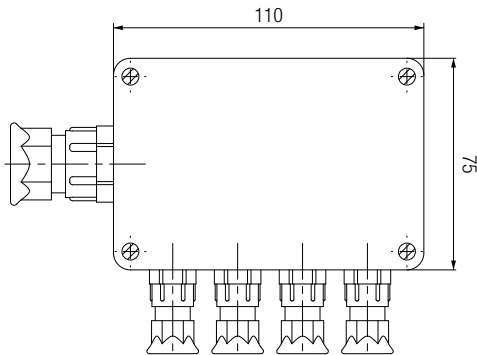
Creepage distance 62 mm  
 Leakage current resistance KC 575 V (CTI)  
 Cantilever strength > 350 daN  
 Ambient temperature -30 °C to +85 °C



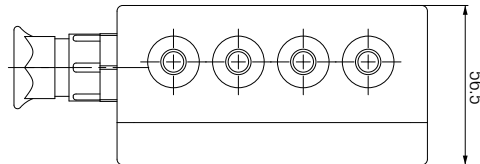
Order No.	Hardware	d	l <sub>1</sub> [mm]	Weight [kg]
080401-10 x 10	Inner threading on both ends	M10 / M10	-	0.09
080402-1030 x 10	Threaded bolts, galvanized	M10 / M10	30	0.98
080403-1030 x 10	Threaded bolts, stainless steel	M10 / M10	30	0.98

# Mounting Accessories

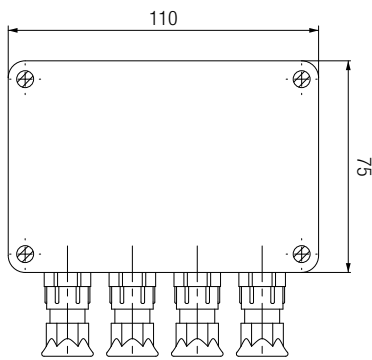
## Junction Box for Power Feed, with Fittings, Clamps and Accessories



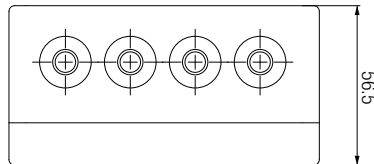
Order No.	Designation	Weight [kg]
080102-3	Junction Box with 3 poles	0.300
080102-4	Junction Box with 4 poles	0.310
080102-5	Junction Box with 5 poles	0.320



## Junction Box for Power Feed, with Fittings, Clamps and Accessories

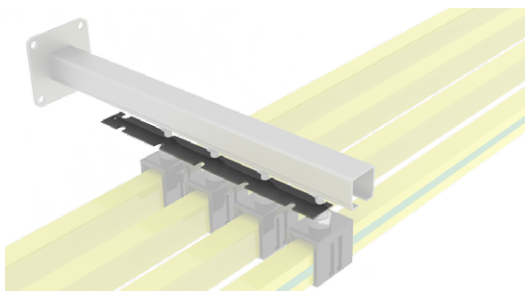


Order No.	Designation	Weight [kg]
080103-3	Junction Box with 3 poles	0.290
080103-4	Junction Box with 4 poles	0.300
080103-5	Junction Box with 5 poles	0.310



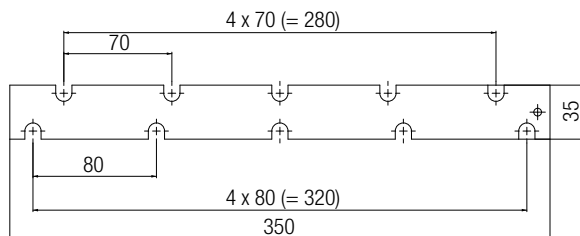
## Mounting Comb 081046

For setting the rail holder spacing while mounting the Support Arms



Order No.	Designation	Weight [kg]
081046*	Mounting Comb	0.190

\* Standard range

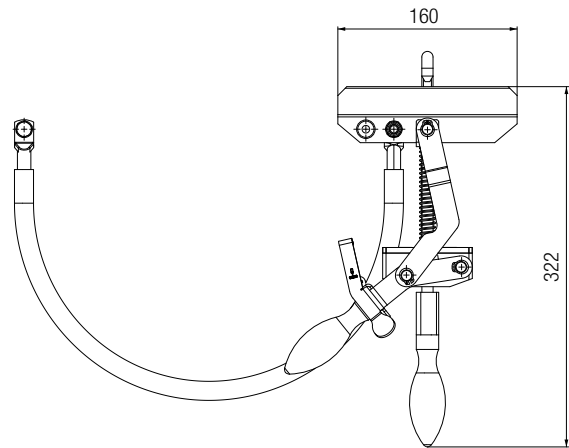




# Tools and Assembly Accessories

## Grounding- and Short-circuit Device

Protective device during service and maintenance work on the conductor rail



Order No.	Designation	Weight [kg]
08-V015-0441*	Grounding Device 813 with one pole	2.2

\* Standard range

**Note:** Several devices have to be used, depending on the number of poles (all live rails + ground rail). The modular design of the Devices allows for any number of them to be connected. Four Devices have to be used for a 3-phase system (1 x PE + 3 x PH = 4).

## Contact Grease for Connection Points (Aluminum rails)



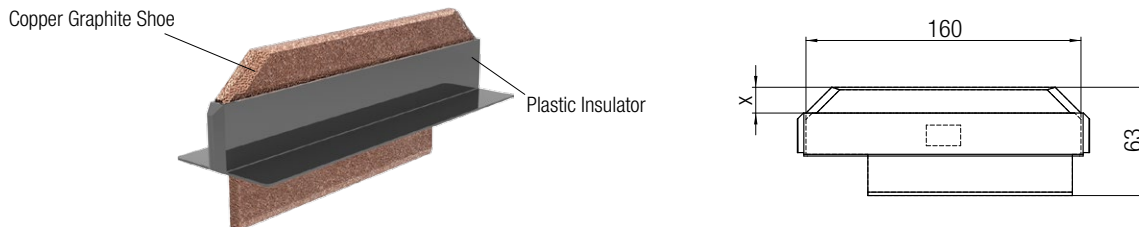
Order No.	Designation	Weight [kg]
080021*	Contact Grease	0.030

\* Standard range

**Application:** Use contact grease to avoid corrosion at contact points. A thin film is applied with finger or brush to the faces of the conductor rail and the clamping area of the connectors. One tube will last for about 200 connection points.

# Replacement Parts

## Replacement Copper Graphite Shoes Current Collector Heads



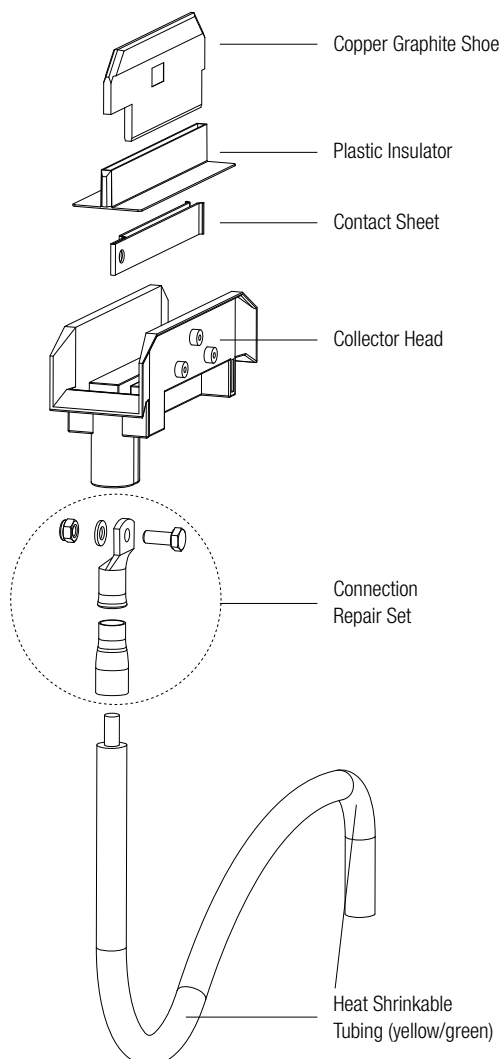
The copper graphite shoe is protected by a plastic insulator, so that accidental contact with live parts of the engaged Current Collector is not possible.

Order No.	Designation	Ampere [A]	Wearing Height X	Weight [kg]
081003-11*	Copper graphite shoe	250	15	0.30

\* Standard range

**Installation note:** When replacing the Copper graphite shoe, it is not necessary to remove the collector head because the shoe is designed as a plug-in contact (not a screw contact). Insulator is included.

## Replacement Parts for Current Collectors



Order No.	Designation	Weight [kg]
08-A150-0006-1*	Collector Head PH	0.1
08-A150-0006-2*	Collector Head PE	0.1
08-K154-0394	Connection Repair Set, including: 1 × Contact Sheet (1847) 1 × Tubular Cable Lug (27633) 1 × Heat Shrinkable Tubing black, 55 mm (25662) 10 × Heat Shrinkable Tubing yellow/green, 50 mm (3041397) 1 × Hexagonal Screw DIN933 M8 x 20 (998) 1 × Lock-nut DIN985-M08-A4 (581) 1 × Washer DIN125-A8, 4-A4 (686)	0.6
	Connecting Cable	
	Connecting Cable (pre-assembled) – on request	

\* Standard range

(SAP KONFIG 08130X-K0PF-PXL)

# Your Applications – our Solutions

Conductor rails from Conductix-Wampfler represent only one of the many solutions made possible by the broad spectrum of Conductix-Wampfler components for the transport of energy, data and fluid media. The solutions we deliver for your applications are based on your specific requirements. In many cases, a combination of several different Conductix-Wampfler systems can prove advantageous. You can count on all of Conductix-Wampfler's Business Units for hands-on engineering support – coupled with the perfect solution to meet your energy management and control needs.



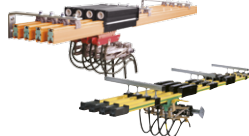
### Cable reels

Motorized reels and spring reels by Conductix-Wampfler hold their own wherever energy, data and media have to cover the most diverse distances within a short amount of time – in all directions, fast and safe.



### Festoon systems

It's hard to imagine Conductix-Wampfler cable trolleys not being used in virtually every industrial application. They're reliable and robust and available in an enormous variety of dimensions and designs.



### Conductor rails

Whether they're enclosed conductor rails or expandable single-pole systems, the proven conductor rails by Conductix-Wampfler reliably move people and material.



### Non-insulated conductor rails

Extremely robust, non-insulated conductor rails with copper heads or stainless steel surfaces provide the ideal basis for rough applications, for example in steel mills or shipyards.



### Energy guiding chains

The "Jack of all trades" when it comes to transferring energy, data, air and fluid hoses. With their wide range, these energy guiding chains are the ideal solution for many industrial applications.



### Slip ring assemblies

Whenever things are really "moving in circles", the proven slip ring assemblies by Conductix-Wampfler ensure the flawless transfer of energy and data. Here, everything revolves around flexibility and reliability!



### Inductive Power Transfer IPT®

The no-contact system for transferring energy and data. For all tasks that depend on high speeds and absolute resistance to wear.



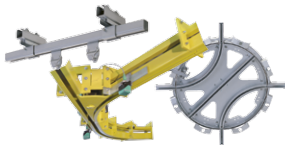
### Reels, retractors and balancers

Whether for hoses or cables, as classical reels or high-precision positioning aids for tools, our range of reels and spring balancers take the load off your shoulders.



### Jib boom

Complete with tool transporters, reels, or an entire media supply system – here, safety and flexibility are key to the completion of difficult tasks.



### Conveyor systems

Whether manual, semiautomatic or with Power & Free – flexibility is achieved with full customization concerning layout and location.

# www.conductix.com

---

## **Conductix-Wampfler**

has just one critical mission:

To provide you with energy and data transmission systems that will keep your operations up and running 24/7/365.

To contact your nearest sales office, please refer to:

[www.conductix.com/  
contact-search](http://www.conductix.com/contact-search)



DELACHAUX GROUP